



SUBMITTAL/TECHNICAL DATA SHEET

APPLICATION

- Designed to provide convenient walk through access to duct work interiors & air handling units
- Low to medium pressure systems and plenums

FEATURES

Heavy duty construction, along with a continuous hinge and compression handles

OPTIONAL FEATURES: Removable Door Panel / Vision Panel / High Pressure Units / Key Operated Handles

SPECIFICATIONS

MATERIAL: Galvanized steel, also available in Aluminum and Stainless Steel

DOOR: 22 gauge

MOUNTING FRAME: Double panel frame is 1 15/16" wide x 1 1/2" deep extruded aluminum with mitred corners

GASKET: 1/8" thick x 1/2" wide closed cell neoprene gasketing between door and frame

HINGE: Continuous steel piano hinge-opens 180 degrees

INSULATION: Door panel filled with 1" thick fiberglass insulation - 4 R value

STANDARD LATCH: Dual acting compression handles-operable from both sides

Units 48" high and under to have 2 handles

Units over 48" high to have 3 handles

FINISH: Mill finish

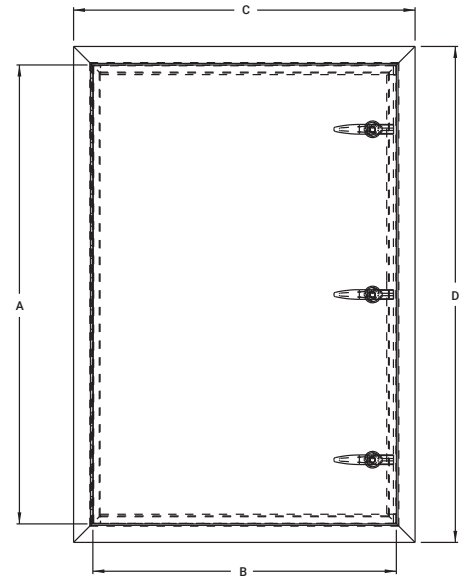
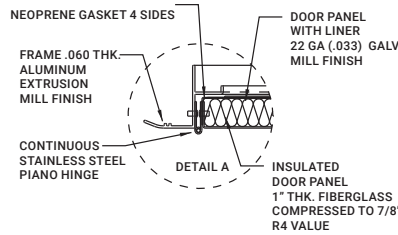
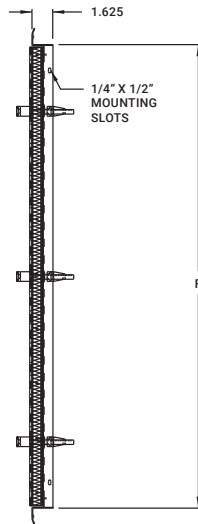
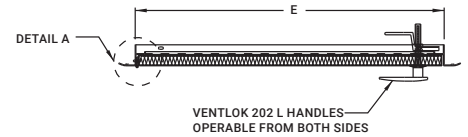


DIMENSIONS AND APPEARANCE

>> CLICK TO VIEW ADDITIONAL DETAILS AND PRICING <<

DOOR SIZE W x H INCHES (MM)	WEIGHT	
	LBS	KG
24 x 36 (610 x 914)	52.80	24
24 x 48 (610 x 1219)	77.00	35
24 x 60 (610 x 1524)	97.00	44
24 x 72 (610 x 1829)	114.0	52
30 x 36 (762 x 914)	70.40	32
30 x 48 (762 x 1219)	95.00	43
30 x 60 (762 x 1524)	119.0	54
30 x 72 (762 x 1829)	143.0	65

For detailed specifications see submittal sheet



For a complete list of options visit www.AcudorAccessPanels.com

PROJECT DATA

Custom Sizes Available - Fast!

Scan or Click



To view Pricing and Additional Product Info.

PROJECT NAME :	QTY	W	H	OPTIONS
ARCHITECT :				
DEALER :				
CONTRACTOR :				
LOCATION :	SPECIAL INSTRUCTIONS :			
DATE :				
TAGGING INSTRUCTIONS :	SUBMITTAL APPROVAL : (signature or stamp)			

TELEPHONE:
1-800-622-8367
FAX:
1-888-626-2907



PO BOX 4668
PMB 76520
NEW YORK,
NEW YORK 10163-4668
US



WEBSITE:
www.AcudorAccessPanels.com
E-MAIL:
info@AcudorAccessPanels.com



SUBMITTAL



TELEPHONE:
1-800-622-8367
FAX:
1-888-626-2907



PO BOX 4668
PMB 76520
NEW YORK,
NEW YORK 10163-4668
US



WEBSITE:
www.AcudorAccessPanels.com
E-MAIL:
info@AcudorAccessPanels.com

WD

WALK THROUGH ACCESS DOOR

NOMINAL DOOR SIZE	A	B	C	D	E	F	LATCHES
Inches (mm)							
24 x 36 (610 X 914)	35.625 (905)	23.500 (597)	24.484 (673)	38.484 (977)	24.000 (610)	36.000 (914)	2
24 x 48 (610 X 1219)	47.625 (1210)	23.500 (597)	24.484 (673)	50.484 (1282)	24.000 (610)	48.000 (1219)	2
24 x 60 (610 X 1524)	59.625 (1514)	23.500 (597)	24.484 (673)	62.484 (1587)	24.000 (610)	60.000 (1524)	3
24 x 72 (610 X 1829)	71.625 (1819)	23.500 (597)	24.484 (673)	74.484 (1892)	24.000 (610)	72.000 (1829)	3
30 x 36 (762 X 914)	35.625 (905)	29.500 (749)	32.484 (825)	38.484 (977)	30.000 (762)	36.000 (914)	2
30 x 48 (762 X 1219)	47.625 (1210)	29.500 (749)	32.484 (825)	50.484 (1282)	30.000 (762)	48.000 (1219)	2
30 x 60 (762 X 1524)	59.625 (1514)	29.500 (749)	32.484 (825)	62.484 (1587)	30.000 (762)	60.000 (1524)	3
30 x 72 (762 X 1829)	71.625 (1819)	29.500 (749)	32.484 (825)	74.484 (1892)	30.000 (762)	72.000 (1829)	3

