

APPLICATION

Acudor Smoke Vents are designed to provide an economical solution for fire ventilation by removing deadly smoke, heat, and gases from a burning building. Single leaf Smoke Vents are used for smaller areas that need venting, including elevator shafts and stairwells. Single leaf units are not U.L. Listed

FEATURES

- 1/8" thick aluminum
- 12" high insulated curb
- High performance gas springs
- Inside and Outside manual release
- UL Listed Fusible or McCabe Resettable Link
- Stainless Steel Hardware

OPTIONAL FEATURES

- Curb mount or Metal Building Flange
- Double-Dome Polycarbonate lids for daylighting
- Louvered curb for ventilation

SPECIFICATIONS

COVER: Double-skin construction ("in box type design") with 1" Polyiso (R-6) insulation and a continuous EPDM foam weather/draft seal gasket that is attached to the inside of cover to provide a flush, tight fit. Designed to support a live load of 40lbs./sq. ft., the cover is 1/8" thick aluminum with a 20 gauge aluminum inside liner

CURB: 1/8" Aluminum with 1" thick Polyiso (R-6) insulation at curb exterior. Curb is 12" high, with 3.375" wide bottom flange and pre-drilled mounting holes

HINGE: Aluminum pintle hinges with 3/8" pin

OPENING: Gas spring operators allow cover to open and close with ease. Inside and outside release allows for manual lid operation

DOOR LATCH: Self latching Slam Latch. Supplied standard with 165° UL Listed Fusible Link. Resettable McCabe link available

FINISH: Mill finish



SKU: **SVA**

ALUMINUM SMOKE VENT-SINGLE LEAF



DIMENSIONS AND APPEARANCE

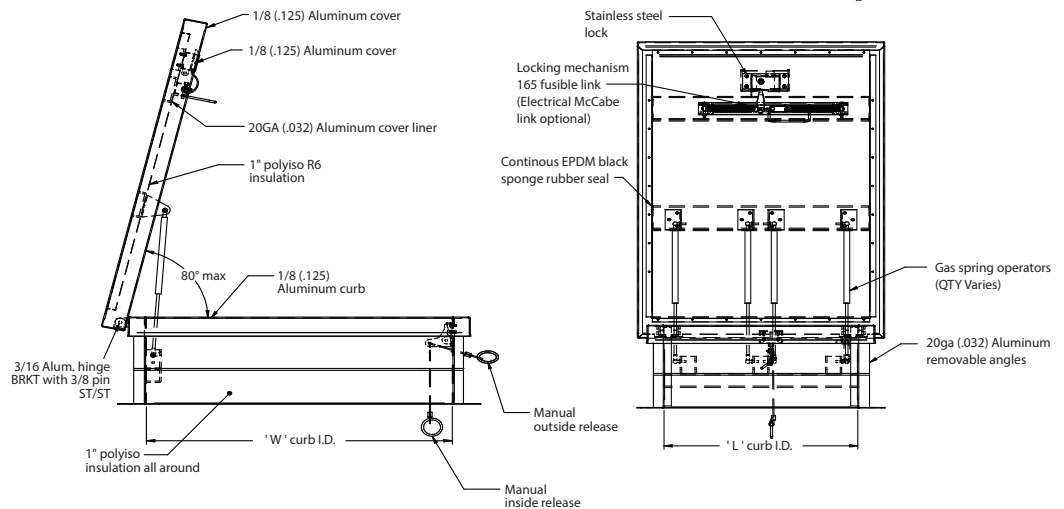
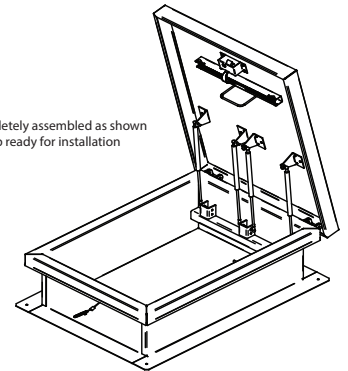
>> CLICK TO VIEW ADDITIONAL DETAILS AND PRICING <<

STANDARD SIZES:

MODEL	CURB ID L&W INCHES (MM)	WEIGHT	
		LBS	KG
SVA2424	24 x 24 (610 x 610)	60	27.3
SVA2436	24 x 36 (610 x 914)	70	31.8
SVA3030	30 x 30 (762 x 762)	75	34.0
SVA3036	30 x 36 (762 x 914)	85	38.6
SVA3096	36 x 96 (762 x 2438)	212	96.1
SVA3636	36 x 36 (914 x 914)	95	43.2
SVA4848	48 x 48 (1219 x 1219)	123	55.8

For detailed specifications see submittal sheet

ASSEMBLY NOTE:
Unit shall be completely assembled as shown and supplied to job ready for installation
FINISH: Mill



Proprietary property of Acudor Products, Inc., sold and distributed with proper authorization



For a complete list of options visit www.AcudorAccessPanels.com

PROJECT DATA

Custom Sizes Available - Fast!

Scan or Click



To view Pricing and Additional Product Info.

PROJECT NAME :	QTY	W	H	OPTIONS
ARCHITECT :				
DEALER :				
CONTRACTOR :				
LOCATION :	SPECIAL INSTRUCTIONS :			
DATE :				
TAGGING INSTRUCTIONS :	SUBMITTAL APPROVAL : (signature or stamp)			

TELEPHONE:
1-888-622-8367
FAX:
1-888-626-2907



PO BOX 4668
PMB 76520
NEW YORK,
NEW YORK 10163-4668
US

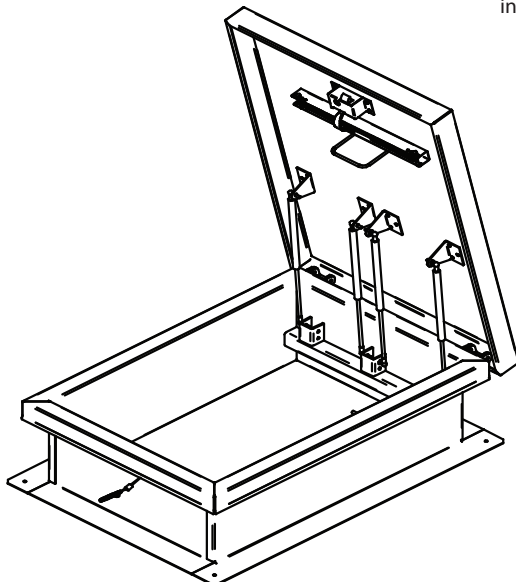
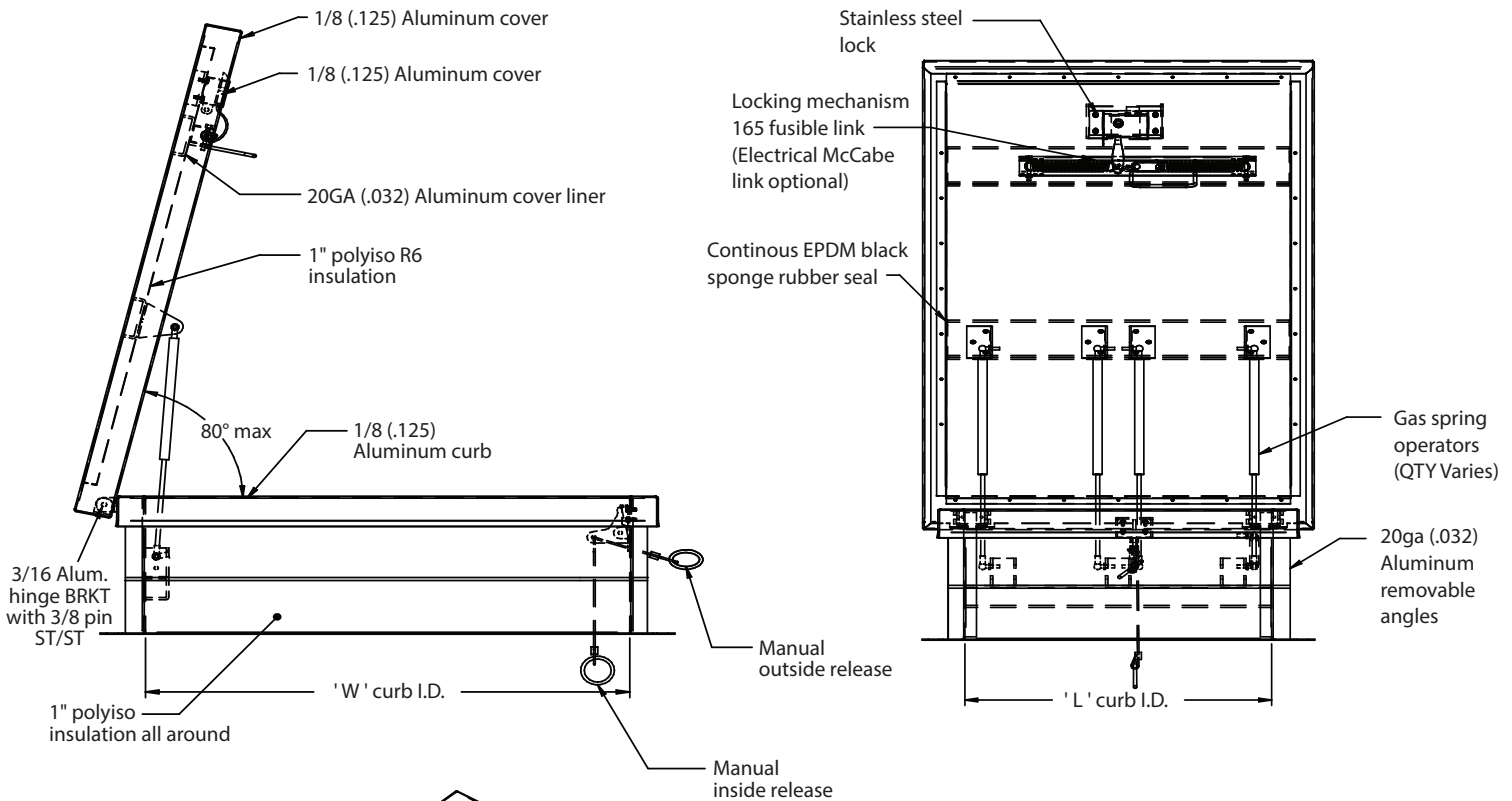


WEBSITE:
www.AcudorAccessPanels.com
E-MAIL:
info@AcudorAccessPanels.com

SVA

ALUMINUM SMOKE VENT SINGLE LEAF

QTY	OPENING WIDTH 'W'	OPENING LENGTH 'L'	QTY	OPENING WIDTH 'W'	OPENING LENGTH 'L'
	24" (610mm)	24" (610mm)		36" (914mm)	30" (762mm)
	36" (914mm)	24" (610mm)		36" (914mm)	36" (914mm)
	30" (762mm)	30" (762mm)			



ASSEMBLY NOTE:

Unit shall be completely assembled as shown and supplied to job ready for installation

FINISH: Mill

