

APPLICATION

Acudor Equipment Access Roof Hatches are designed to provide convenient, economical access to the roof of a building where larger openings are required. This opening allows for equipment to be installed or removed from a building through the roof.

FEATURES

- Weather tight construction
- Convenient one-hand operation
- 12" high insulated curb
- Supports 40lbs./sq. ft. live load
- Stainless Steel Hardware
- G90 Galv. Stee

SPECIFICATIONS

COVER: Double-skin construction ("in box type design") with 1" Polyiso (R-6) insulation and a continuous EPDM foam weather/draft seal gasket that is attached to the inside of cover to provide a flush, tight fit. Designed to support a live load of 40lbs./sq. ft., the cover is 14 gauge galvanized steel with a 22 gauge galvanized steel inside liner.

CURB: 14 gauge galvanized steel with 1" thick Polyiso (R-6) insulation at curb exterior. Curb is 12" high, with 3.375" wide bottom flange and pre-drilled mounting holes.

HINGE: Heavy duty galvanized steel pintle hinges with 3/8" SS pin.

OPENING: Gas spring operators allow cover to open and close with ease. Stainless Steel Inside pull handle allows for easy control when closing cover.

DOOR LATCH: Self latching, Stainless steel outside T handle with stainless steel inside lock and lever assembly. Unit also has inside and outside padlock provisions.

FINISH: Material is prepared with an iron phosphate wash, followed by a rust inhibiting primer, and then a baked on polyester enamel grey paint.



SKU: **RHG-EQ-DL**

GALVANIZED EQUIPMENT ACCESS ROOF HATCH

DOUBLE LEAF

DIMENSIONS AND APPEARANCE

>> CLICK TO VIEW ADDITIONAL DETAILS AND PRICING <<

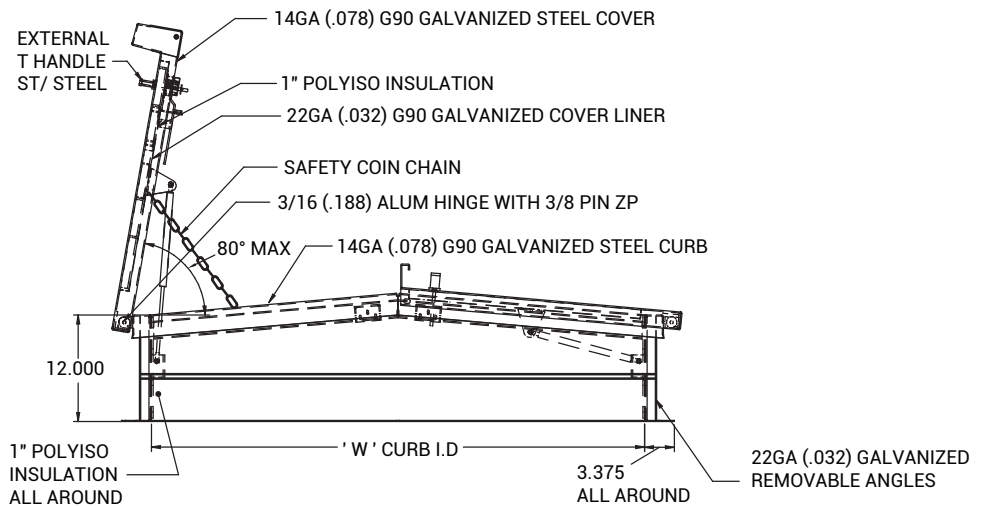
STANDARD SIZES:

MODEL	CURB ID L&W INCHES (MM)	WEIGHT	
		LBS	KG
G6868	60 x 60 (1524 x 1524)	290	131

For detailed specifications see submittal sheet

OPTIONAL FEATURES

- Painted and Anodized finishes
- Polycarbonate domes for daylighting
- Louvered Curbs
- Curb Mounted Units
- Galvanized steel curb and Aluminum cover
- Curb pitch corrected for sloped roof
- Higher curb heights for "green roof" applications
- Available with Galvanized Steel Curb and Aluminum Cover
- Higher Live Load Support





For a complete list of options visit www.AcudorAccessPanels.com

PROJECT DATA

Custom Sizes Available - Fast!

PROJECT NAME :	QTY	W	H	OPTIONS
ARCHITECT :				
DEALER :				
CONTRACTOR :				
LOCATION :	SPECIAL INSTRUCTIONS :			
DATE :	SUBMITTAL APPROVAL : (signature or stamp)			
TAGGING INSTRUCTIONS :				

Scan  or  Click



To view Pricing and Additional Product Info.



TELEPHONE:
1-888-622-8367
FAX:
1-888-626-2907



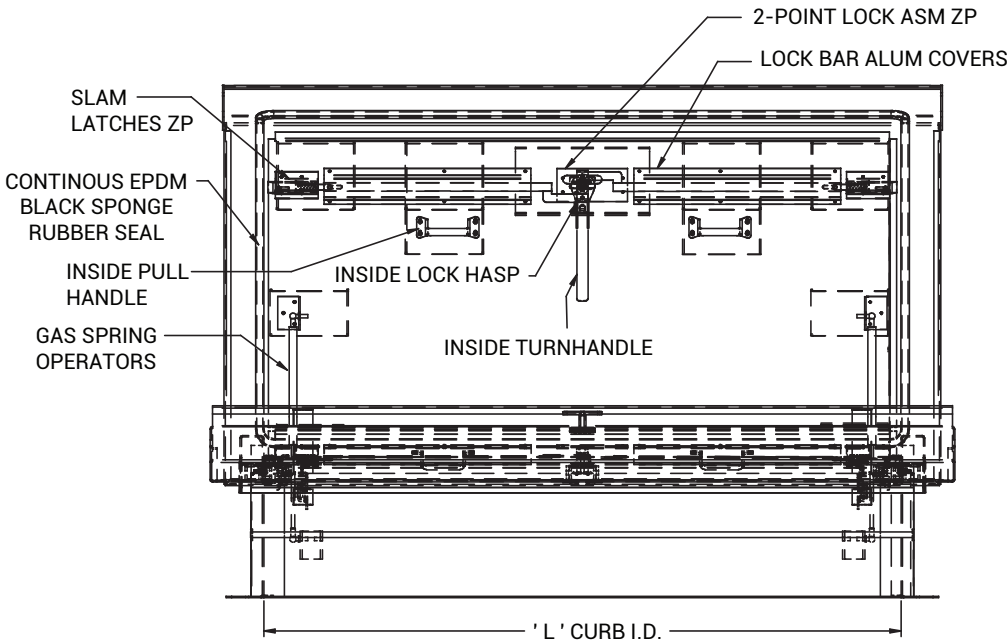
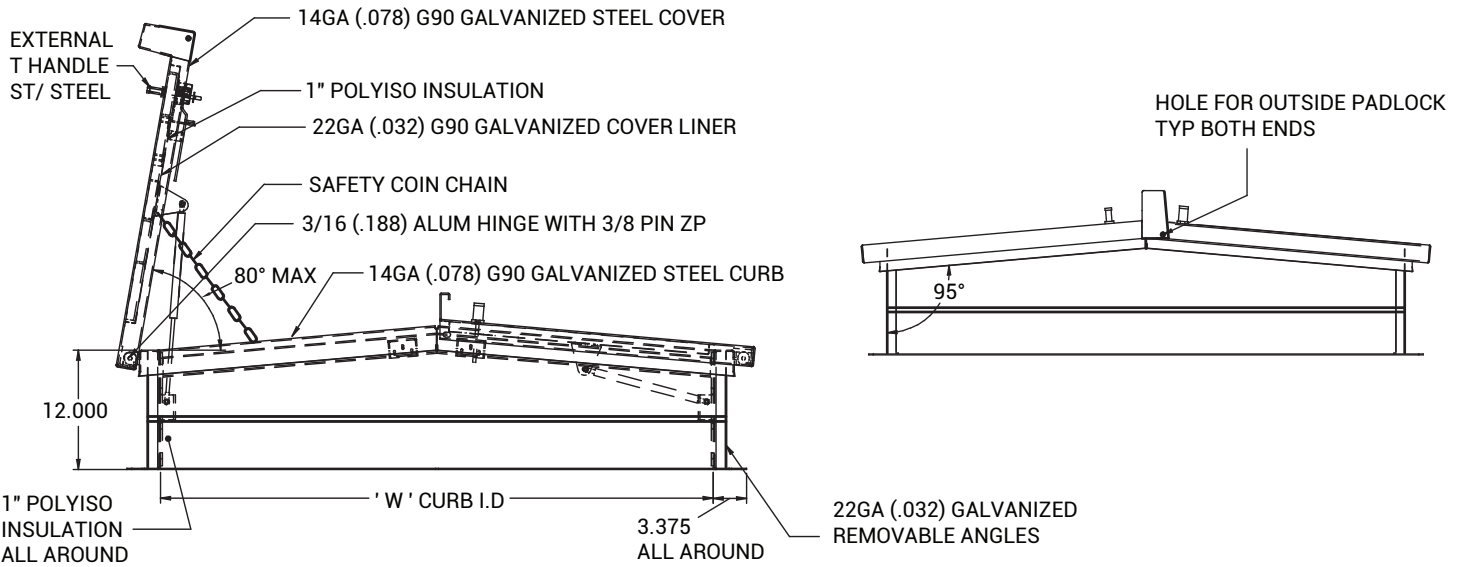
PO BOX 4668
PMB 76520
NEW YORK,
NEW YORK 10163-4668
US



WEBSITE:
www.AcudorAccessPanels.com
E-MAIL:
info@AcudorAccessPanels.com

RHG-EQ-DL GALVANIZED EQUIPMENT ACCESS ROOF HATCH - DOUBLE LEAF

QTY	OPENING WIDTH 'W'	OPENING LENGTH 'L'	QTY	OPENING WIDTH 'W'	OPENING LENGTH 'L'
	60" (1524mm)	60" (1524mm)			



ASSEMBLY NOTE:
UNIT SHALL BE COMPLETELY ASSEMBLED AS SHOWN AND SUPPLIED TO JOB READY FOR INSTALLATION

FINISH: BAKED ENAMEL POLYESTER

COLOR: RAL 7046 TELEGREY2

