

APPLICATION

Acudor Service Stair Roof Hatches are designed to provide convenient, economical access to the roof of a building from a full size staircase to perform maintenance.

FEATURES

- Weather tight construction
- Convenient one-hand operation
- 12" high insulated curb
- Supports 40lbs./sq. ft. live load
- Stainless Steel Hardware

OPTIONAL FEATURES

- Painted and Anodized finishes
- Louvered Curbs
- Curb Mounted Units
- Polycarbonate domes for daylighting
- Curb pitch corrected for sloped roof
- Higher curb heights for "green roof" applications

SPECIFICATIONS

COVER: Double-skin construction ("in box type design") with 1" Polyiso (R-6) insulation and a continuous EPDM foam weather/draft seal gasket that is attached to the inside of cover to provide a flush, tight fit. Designed to support a live load of 40lbs./sq. ft., the cover is 1/8" aluminum with a 20 gauge aluminum inside liner.

CURB: 1/8" thick aluminum with 1" thick Polyiso (R-6) insulation at curb exterior. Curb is 12" high, with 3.375" wide bottom flange and pre-drilled mounting holes.

HINGE: Heavy duty Aluminum pintle hinges with 3/8" SS pin.

OPENING: Gas spring operators allow cover to open and close with ease. Stainless Steel inside pull handle allows for easy control when closing cover.

DOOR LATCH: Self latching, Stainless Steel outside T handle with inside lock and lever assembly. Unit also has inside and outside padlock provisions.

FINISH: Mill finish



For a complete list of options visit www.AcudorAccessPanels.com

Scan or Click



To view Pricing and Additional Product Info.



SKU: **RHA-SE**

ALUM. SERVICE STAIR ACCESS ROOF HATCH

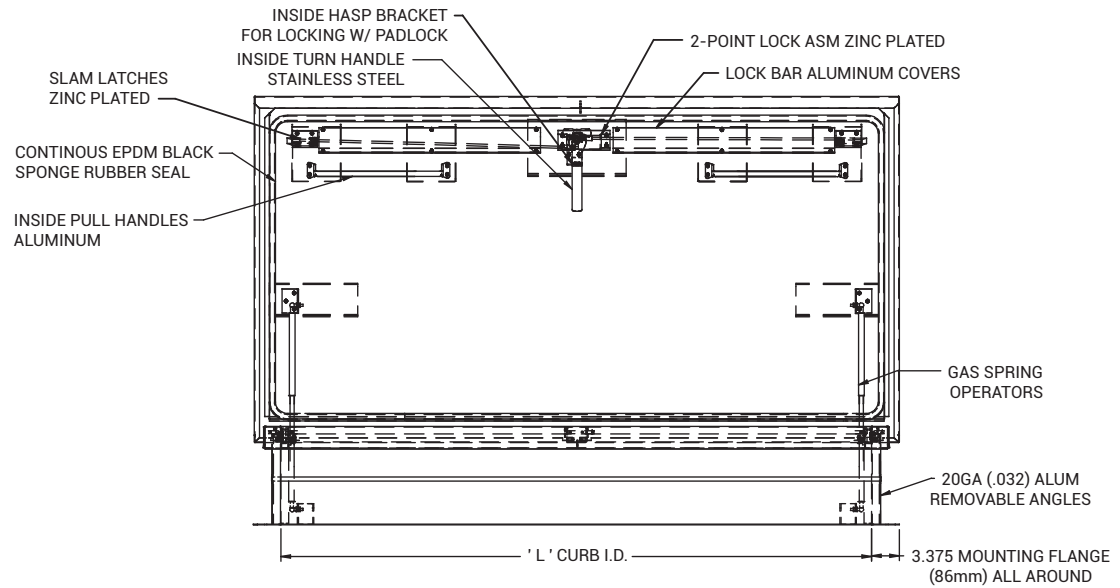
■ DIMENSIONS AND APPEARANCE

>> CLICK TO VIEW ADDITIONAL DETAILS AND PRICING <<

STANDARD SIZES:

MODEL	CURB ID L&W INCHES (MM)	WEIGHT	
		LBS	KG
A38104	30 x 96 (762 x 2438)	245	111.4

For detailed specifications see submittal sheet



■ PROJECT DATA

Custom Sizes Available - Fast!

PROJECT NAME :	QTY	W	H	OPTIONS
ARCHITECT :				
DEALER :				
CONTRACTOR :				
LOCATION :	SPECIAL INSTRUCTIONS :			
DATE :	SUBMITTAL APPROVAL : (signature or stamp)			
TAGGING INSTRUCTIONS :				

TELEPHONE:
1-888-622-8367
FAX:
1-888-626-2907



PO BOX 4668
PMB 76520
NEW YORK,
NEW YORK 10163-4668
US



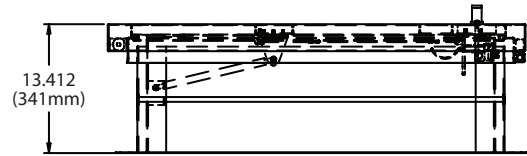
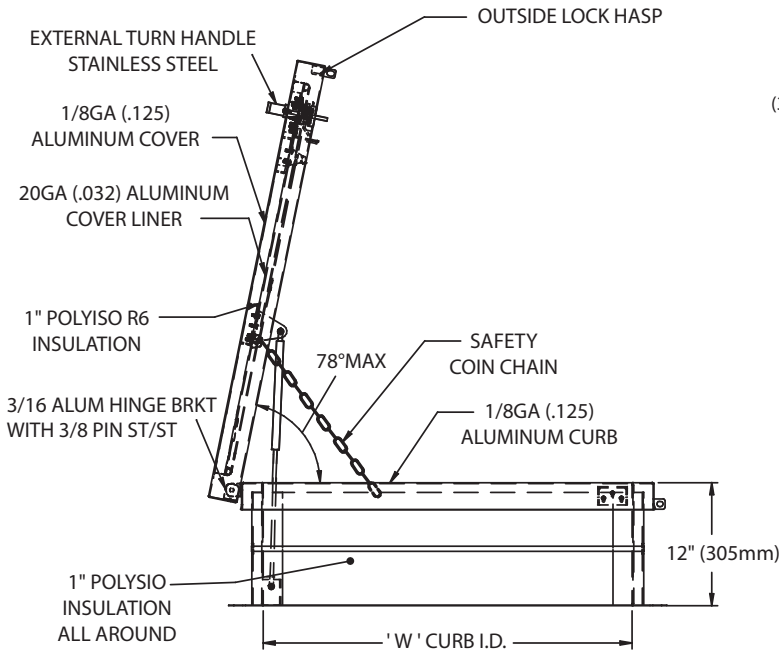
WEBSITE:
www.AcudorAccessPanels.com
E-MAIL:
info@AcudorAccessPanels.com



RHA-SE

SERVICE STAIR ACCESS ROOF HATCH - ALUMINUM

QTY	OPENING WIDTH 'W'	OPENING LENGTH 'L'	QTY	OPENING WIDTH 'W'	OPENING LENGTH 'L'
	30" (762mm)	96" (2438mm)			



ASSEMBLY NOTE:
UNIT SHALL BE COMPLETELY ASSEMBLED AS SHOWN AND SUPPLIED TO JOB READY FOR INSTALLATION

FINISH: MILL

