

APPLICATION

- For use in medium security jails, prisons, psychiatric institutions, etc.
- Medium duty security access door

FEATURES

- 12 Gauge door and frame
- A one piece trim flange and continuous concealed hinge
- Door panel features rounded safety corners

SPECIFICATIONS

MATERIAL: Steel or Stainless Steel

DOOR / MOUNTING FRAME: 12 gauge door and mounting frame

Flush to frame with rounded corners and reinforced panel

One piece outer flange welded to mounting frame

HINGE: Continuous, concealed

STANDARD LATCH: Tamper resistant allen head cam latch with security pin

OPTIONAL LATCHES/LOCKS: Spanner head cam latch, cylinder lock & key. When master keying is required, doors can be prepared for rim or mortise cylinder locks

FINISH: 5 stage iron phosphate preparation with prime coat of White alkyd baking enamel.

Stainless Steel: Type 304 #4 satin polish.



SKU: **MS-7000**

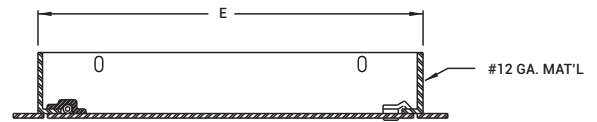
SECURITY DOORS

FOR MEDIUM SECURITY

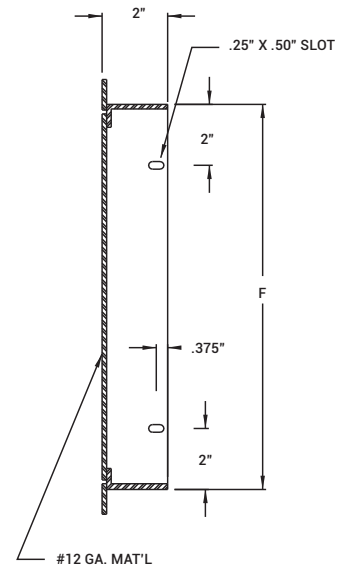
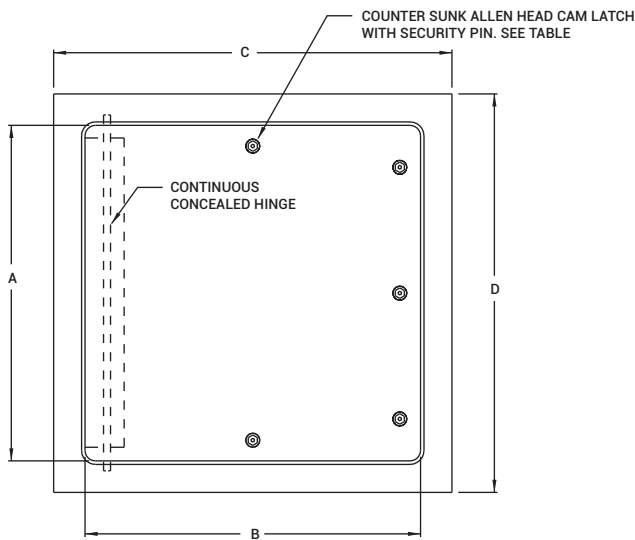
DIMENSIONS AND APPEARANCE

>> CLICK TO VIEW ADDITIONAL DETAILS AND PRICING <<

DOOR SIZE W x H INCHES (MM)	WEIGHT	
	LBS	KG
10 x 10 (254 x 254)	2.00	0.9
12 x 12 (304 x 304)	2.50	1.1
14 x 14 (356 x 356)	3.25	1.5
16 x 16 (406 x 406)	4.00	1.8
18 x 18 (457 x 457)	5.50	2.5
24 x 24 (610 x 610)	12.0	5.5



Wall or ceiling opening is $W + 3/8"$ (9 mm)
For detailed specifications see submittal sheet



Proprietary property of Acudor Products, Inc., sold and distributed with proper authorization





For a complete list of options visit
www.AcudorAccessPanels.com

PROJECT DATA

Custom Sizes Available - Fast!

PROJECT NAME :	QTY	W	H	OPTIONS
ARCHITECT :				
DEALER :				
CONTRACTOR :				
LOCATION :	SPECIAL INSTRUCTIONS :			
DATE :				
TAGGING INSTRUCTIONS :	SUBMITTAL APPROVAL : (signature or stamp)			

Scan  or  Click



To view Pricing and
Additional Product Info.



TELEPHONE:
1-888-622-8367
FAX:
1-888-626-2907



PO BOX 4668
PMB 76520
NEW YORK,
NEW YORK 10163-4668
US



WEBSITE:
www.AcudorAccessPanels.com
E-MAIL:
info@AcudorAccessPanels.com

MS-7000

MEDIUM SECURITY

NOMINAL DOOR SIZE	A	B	C	D	E	F	ALLEN KEY
Inches (mm)							
12 x 12 (305 x 305)	11.480 (292)	11.480 (292)	14.50 (368)	14.50 (368)	12.25 (311)	12.25 (311)	1
16 x 16 (406 x 406)	15.480 (393)	15.480 (393)	18.50 (470)	18.50 (470)	16.25 (413)	16.25 (413)	2
18 x 18 (457 x 457)	17.480 (444)	17.480 (444)	20.50 (521)	20.50 (521)	18.25 (464)	18.25 (464)	2
24 x 24 (610 x 610)	23.480 (596)	23.480 (596)	26.50 (673)	26.50 (673)	24.25 (616)	24.25 (616)	4
24 x 36 (610 x 914)	35.480 (901)	23.480 (596)	26.50 (673)	38.50 (978)	24.25 (616)	36.25 (921)	5
36 x 36 (914 x 914)	35.480 (901)	35.480 (901)	38.50 (978)	38.50 (978)	36.25 (921)	36.25 (921)	5

