

APPLICATION

Provides easy access to sheet metal ducts.

FEATURES

- Innovative self stick frame for easy installation
- Insulated door panel, single cam, hinged
- Tested to 10" SP with minimal leakage

OPTIONS

- Aluminum
- Stainless steel
- Cylinder lock & key
- HASP + staple
- L-handle

SPECIFICATIONS

DOOR: 24 gauge galvanized steel, double panel

FRAME: 24 gauge galvanized steel

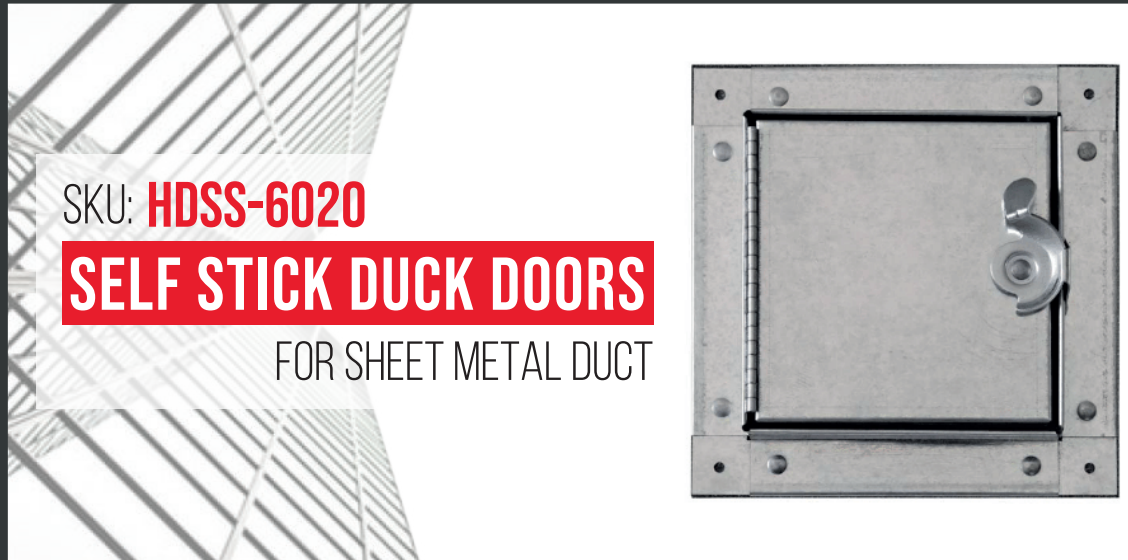
GASKETING: 1/8" thick by 1/2" wide closed cell neoprene gasketing between door and frame. 1/8" thick by 1 1/2" wide adhesive bonded gasket between frame to duct

HINGE: Continuous aluminum piano hinge

INSULATION: Door panel filled with 1" fiberglass insulation

LATCH: Self tightening, hand operated cam latches

HARDWARE: Hex head sheet metal screws

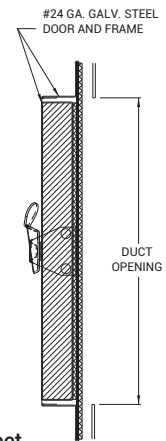
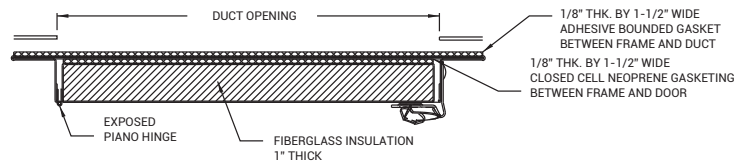
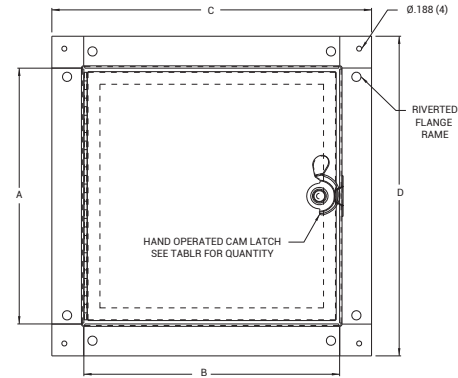


DIMENSIONS AND APPEARANCE

>> CLICK TO VIEW ADDITIONAL DETAILS AND PRICING <<

DOOR SIZE W x H INCHES (MM)	DUCT OPENING	LATCHES	WEIGHT	
			LBS	KG
6 x 6 (152 x 152)	4.5" X 4.5"	2	1.50	0.7
8 x 8 (203 x 203)	6.5" X 6.5"	2	2.20	1.0
10 x 10 (254 x 254)	8.5" X 8.5"	2	3.00	1.3
12 x 12 (305 x 305)	10.5" X 10.5"	2	3.80	1.7
14 x 14 (356 x 356)	12.5" X 12.5"	4	4.90	2.2
16 x 16 (406 x 406)	14.5" X 14.5"	4	6.00	2.7
18 x 18 (457 x 457)	16.5" X 16.5"	4	7.00	3.2
20 x 20 (508 x 508)	18.5" X 18.5"	4	9.10	4.1
24 x 24 (610 x 610)	22.5" X 22.5"	4	11.6	5.3

Duct opening is normal door size minus -1 1/4" (31mm)



For detailed specifications see submittal sheet



For a complete list of options visit www.AcudorAccessPanels.com

PROJECT DATA

Custom Sizes Available - Fast!

PROJECT NAME :	QTY	W	H	OPTIONS
ARCHITECT :				
DEALER :				
CONTRACTOR :				
LOCATION :	SPECIAL INSTRUCTIONS :			
DATE :	SUBMITTAL APPROVAL : (signature or stamp)			
TAGGING INSTRUCTIONS :				

Scan or Click



To view Pricing and Additional Product Info.

TELEPHONE:
1-888-622-8367
FAX:
1-888-626-2907



PO BOX 4668
PMB 76520
NEW YORK,
NEW YORK 10163-4668
US



WEBSITE:
www.AcudorAccessPanels.com
E-MAIL:
info@AcudorAccessPanels.com

HDSS-6020

SELF STICK DUCT DOOR-HINGED

NOMINAL DOOR SIZE	A	B	C	D	DUCT OPENING	LATCH
Inches (mm)						
6 x 6 (152 x 152)	5.375 (137)	5.375 (137)	7.875 (200)	9.875 (251)	4-½ X 4-½ (114 X 114)	1
8 x 8 (203 x 203)	7.375 (187)	7.375 (187)	9.875 (251)	9.875 (251)	6-½ X 6-½ (165 X 165)	1
10 x 10 (254 x 254)	9.375 (238)	9.375 (238)	11.875 (302)	11.875 (302)	8-½ X 8-½ (216 X 216)	1
12 x 12 (305 x 305)	11.375 (289)	11.375 (289)	13.875 (352)	13.875 (352)	10-½ X 10-½ (267 X 267)	1
12 x 18 (305 x 457)	17.375 (441)	11.375 (289)	13.875 (352)	19.875 (505)	10-½ X 16-½ (267 X 419)	2
14 x 14 (356 x 356)	13.375 (340)	13.375 (340)	15.875 (403)	15.875 (403)	12-½ X 12-½ (318 X 318)	2
16 x 16 (406 x 406)	15.375 (391)	15.375 (391)	17.875 (454)	17.875 (454)	14-½ X 14-½ (368 X 368)	2
18 x 18 (457 x 457)	17.375 (441)	17.375 (441)	19.875 (505)	19.875 (505)	16-½ X 16-½ (419 X 419)	2
20 x 20 (508 x 508)	19.375 (492)	19.375 (492)	21.875 (556)	21.875 (556)	18-½ X 18-½ (476 X 476)	2
24 x 24 (610 x 610)	23.375 (594)	23.375 (594)	25.875 (657)	25.875 (657)	22-½ X 22-½ (578 X 578)	2

