

APPLICATION

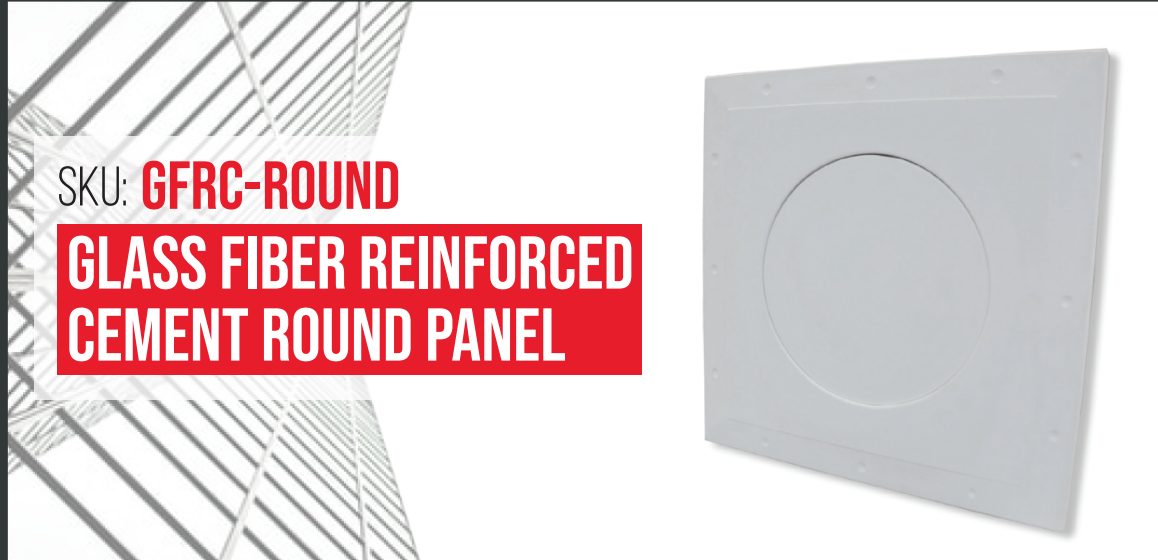
Glass fiber reinforced cement, ceiling access doors are designed to blend seamlessly into exterior soffits or ceilings

FEATURES

- Portland Cement, Fiber, Post Consumer Recycled Glass
- Tapered edge for joint tape
- Easily textured
- Lightweight
- No cracking or shrinkage
- Mold and moisture resistant

SPECIFICATIONS

- Shell Thickness = .125" - .375"
- Fastener Test Pull Out (wood stud) = 525 lb. avg.
- Fastener Test Pull Out (metal stud) = 525 lb. avg.
- Fastener Push Through Test = 350 lb. avg.
- Fuel Contribution (ASTM-E84-80) = 0
- Flame Spread (ASTM-E84-80) = 0
- Smoke Index (ASTM-E84-80) = 0
- Combustion (ASTM-E84-80) = 0



SKU: **GFRG-ROUND**

GLASS FIBER REINFORCED CEMENT ROUND PANEL



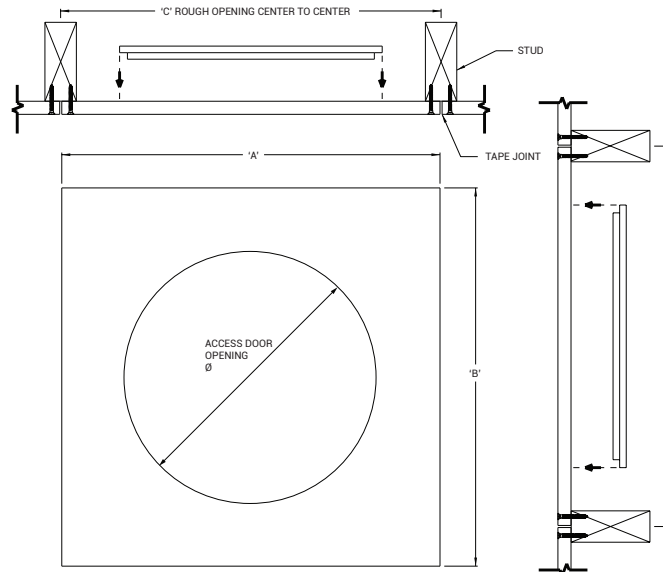
■ DIMENSIONS AND APPEARANCE

>> CLICK TO VIEW ADDITIONAL DETAILS AND PRICING <<

STANDARD SIZES:

| DOOR SIZE W x H INCHES (MM) | CEILING OPENING INCHES (MM) | WEIGHT | |
|--------------------------------|--------------------------------|--------|------|
| | | LBS | KG |
| Ø9 (229) | 15 x 15 (381 x 381) | 6.00 | 2.73 |
| Ø12 (305) | 18 x 18 (457 x 457) | 9.00 | 4.09 |
| Ø16 (406) | 22 x 22 (559 x 559) | 10.0 | 4.53 |
| Ø18 (457) | 24 x 24 (610 x 610) | 11.0 | 5.00 |
| Ø24 (610) | 30 x 30 (762 x 762) | 16.0 | 7.27 |

For detailed specifications see submittal sheet





For a complete list of options visit www.AcudorAccessPanels.com

■ PROJECT DATA

Custom Sizes Available - Fast!

| | | | | |
|------------------------|--|---|---|---------|
| PROJECT NAME : | QTY | W | H | OPTIONS |
| ARCHITECT : | | | | |
| DEALER : | | | | |
| CONTRACTOR : | | | | |
| LOCATION : | SPECIAL INSTRUCTIONS : | | | |
| DATE : | SUBMITTAL APPROVAL : (signature or stamp) | | | |
| TAGGING INSTRUCTIONS : | | | | |

Scan  or  Click



To view Pricing and Additional Product Info.



TELEPHONE:
1-888-622-8367
FAX:
1-888-626-2907



PO BOX 4668
PMB 76520
NEW YORK,
NEW YORK 10163-4668
US



WEBSITE:
www.AcudorAccessPanels.com
E-MAIL:
info@AcudorAccessPanels.com

GFRC-ROUND

ROUND POP-OUT ACCESS PANEL

| NOMINAL DOOR SIZE | A | B | C | D |
|--------------------|-----------|-----------|-----------|-----------|
| 9" Diameter (406) | 15" (381) | 15" (381) | 15" (381) | 15" (381) |
| 12" Diameter (457) | 18" (457) | 18" (457) | 18" (457) | 18" (457) |
| 16" Diameter (610) | 22" (559) | 22" (559) | 22" (559) | 22" (559) |
| 18" Diameter (559) | 24" (609) | 24" (609) | 24" (609) | 24" (609) |
| 24" Diameter (762) | 30" (762) | 30" (762) | 30" (762) | 30" (762) |

