

### APPLICATION

- Installation in Drywall, Plaster, Masonry, Tile or any flush surface
- Economical and attractive access door for walls & ceilings

### FEATURES

- Formed door panel
- Concealed hinge

### SPECIFICATIONS

**MATERIAL:** 18 gauge steel door and frame

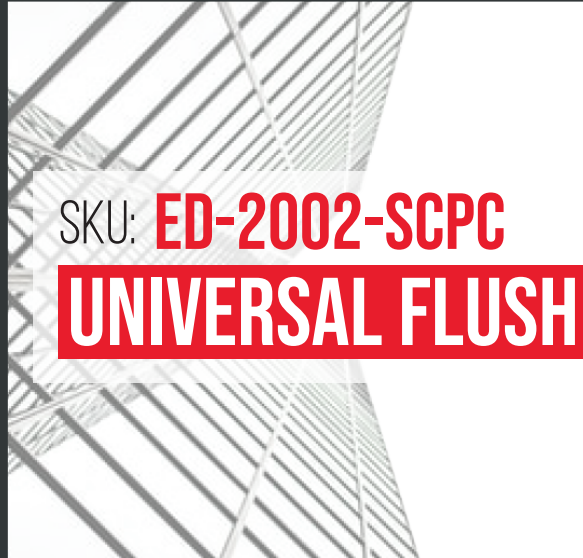
**DOOR:** Flush to frame with reinforced edges

**DOOR FRAME:** 1" wide outside flange with 1 7/16" deep mounting frame: Knock over mounting tabs provided on 6x6, 8x8, 10x10 and 12x12

**HINGE:** Concealed Hinge Pin

**LATCH:** Stainless steel slot screw-driver operated cam latch

**FINISH:** 5 Stage iron phosphate preparation with prime coat of White alkyd baking enamel

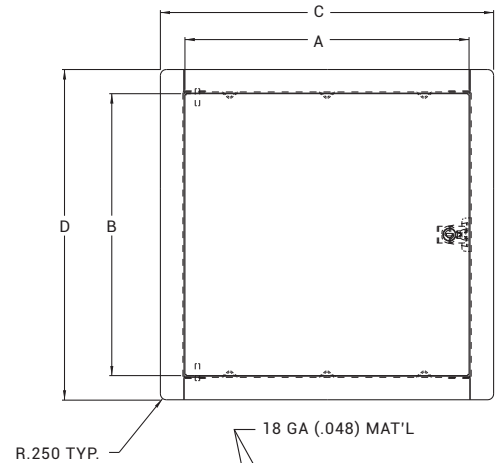


### DIMENSIONS AND APPEARANCE

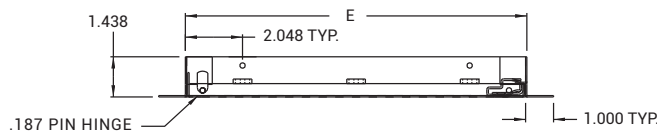
>> CLICK TO VIEW ADDITIONAL DETAILS AND PRICING <<

#### STANDARD SIZES:

DOOR SIZE W x H INCHES (MM)	LATCHES	WEIGHT	
		LBS	KG
6 x 6 (152 x 152)	1	1.7	0.8
8 x 8 (203 x 203)	1	2.5	1.1
10 x 10 (254 x 254)	1	3.5	1.6
12 x 12 (305 x 305)	1	4.6	2.1
14 x 14 (356 x 356)	1	5.8	2.6
16 x 16 (406 x 406)	1	7.2	3.3
18 x 18 (457 x 457)	1	8.8	4.0
20 x 20 (508 x 508)	1	10.4	4.7
24 x 24 (610 x 610)	1	14.2	6.4
24 x 36 (610 x 914)	2	17.0	7.7



Wall opening is  $W + 3/8"$  (9 mm)  
For detailed specifications see submittal sheet



Proprietary property of Acudor Products, Inc., sold and distributed with proper authorization





For a complete list of options visit  
[www.AcudorAccessPanels.com](http://www.AcudorAccessPanels.com)

### PROJECT DATA

Custom Sizes Available - Fast!

PROJECT NAME :	QTY	W	H	OPTIONS
ARCHITECT :				
DEALER :				
CONTRACTOR :				
LOCATION :	SPECIAL INSTRUCTIONS :			
DATE :				
TAGGING INSTRUCTIONS :	SUBMITTAL APPROVAL : (signature or stamp)			

Scan  or  Click



To view Pricing and  
Additional Product Info.



TELEPHONE:  
1-888-622-8367  
FAX:  
1-888-626-2907



PO BOX 4668  
PMB 76520  
NEW YORK,  
NEW YORK 10163-4668  
US



WEBSITE:  
[www.AcudorAccessPanels.com](http://www.AcudorAccessPanels.com)  
E-MAIL:  
[info@AcudorAccessPanels.com](mailto:info@AcudorAccessPanels.com)

# ED-2002-SCPC

# FLUSH ACCESS DOOR

NOMINAL DOOR SIZE	A	B	C	D	E	F	LOCK
6 x 6 (152 x 152)	6.04 (153)	5.95 (151)	8.125 (206)	8.00 (203)	6.22 (152)	6.19 (158)	1
8 x 8 (203 x 203)	8.04 (204)	7.95 (202)	10.125 (257)	10.00 (254)	8.22 (203)	8.19 (208)	1
10 x 10 (254 x 254)	10.04 (255)	9.95 (253)	12.125 (308)	12.00 (305)	10.22 (250)	10.19 (250)	1
12 x 12 (305 x 305)	12.04 (306)	11.95 (304)	14.125 (359)	14.00 (356)	12.22 (304)	12.19 (304)	1
14 x 14 (356 x 356)	14.04 (357)	13.95 (354)	16.125 (410)	16.00 (406)	14.22 (356)	14.19 (356)	1
16 x 16 (406 x 406)	16.04 (408)	15.95 (405)	18.125 (460)	18.00 (457)	16.22 (356)	16.19 (356)	1
18 x 18 (457 x 457)	18.04 (458)	17.95 (456)	20.125 (511)	20.00 (508)	18.22 (457)	18.19 (457)	1
20 x 20 (508 x 508)	20.04 (509)	19.95 (507)	22.125 (562)	22.00 (559)	20.22 (508)	20.19 (508)	1
24 x 24 (610 x 610)	24.04 (611)	23.95 (608)	26.125 (663)	26.00 (660)	24.22 (610)	24.19 (610)	1
*24 x 36 (610 x 914)	24.04 (611)	35.95 (913)	26.125 (663)	38.00 (965)	24.25 (610)	36.25 (921)	2

\* NOTE: 24 x 36 - FRAME MADE WITH 16 GA (.060) MAT'L

