

APPLICATION

Designed for applications where water may rise above the surface opening, or where odor and gas may need to be suppressed. This door is ideal for retrofit applications. This design is suitable for use in potable water applications.

FEATURES

- Angle frame construction with 4" high horizontal leg to allow for bolting to concrete
- Diamond plate door panel is reinforced for a live load of 625 pounds/sq. ft. capable of holding up to 10 ft. head of water from the outside (downward pressure only).
- Door panel overlaps frame, compressing the gasket providing a flood resistant fit
- U shaped neoprene gasket and stainless steel pressure lock system ensure the door will reduce the amount of odor and gases that escape from below.

SPECIFICATIONS

MATERIAL: Aluminum door & frame ; Type 316 Stainless steel hinges & hardware

DOOR: 1/4" aluminum diamond plate reinforced for live load of 625 pounds/per sq. ft. capable of holding up to 10 ft. head of water (downward pressure only).

HINGE: Type 316 stainless steel butt hinges with tamper proof stainless steel bolts and nuts.

GASKET: 3/8" neoprene gasket

OPENING DEVICE: Automatic hold open arm with red vinyl grip allows door to open to 90 degrees, locking door in open position and allowing for easy control when closing door panel. Stainless steel compression springs provide lift assistance.

STANDARD LATCH: Type 316 stainless steel pressurelock system and exterior staple for padlock

FINISH: Bituminous coating on exterior frame



SKU: **AFPS**

FLOOR DOOR

FLOOD RESISTANT

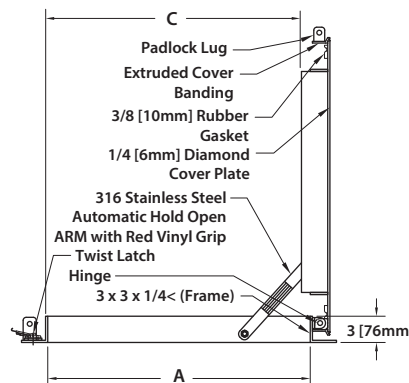
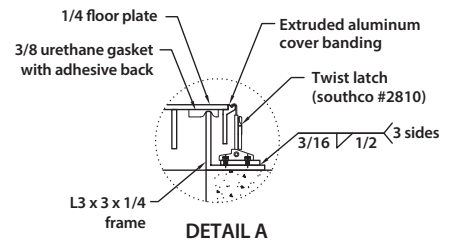


DIMENSIONS AND APPEARANCE

>> CLICK TO VIEW ADDITIONAL DETAILS AND PRICING <<

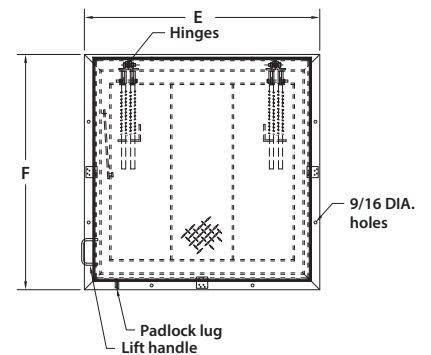
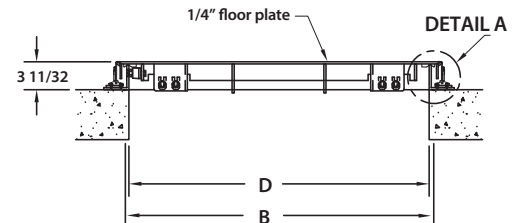
DOOR SIZE W x H INCHES (MM)	WEIGHT	
	LBS	KG
24 x 24 (610 x 610)	65	29
30 x 30 (762 x 762)	85	39
30 x 48 (762 x 1219)	110	50
36 x 36 (914 x 914)	105	48
36 x 48 (914 x 1219)	120	54

For detailed specifications see submittal sheet



NOTES:

- MATERIAL: ALUMINUM
- LOADING: 625 LBS. PER SQ. FT.
- 316 STAINLESS STEEL BOLTS & NUTS
- AREA OF FRAME IN CONTACT WITH CONCRETE TO BE PAINTED WITH BITUMINOUS COATING



Proprietary property of Acudor Products, Inc., sold and distributed with proper authorization



For a complete list of options visit www.AcudorAccessPanels.com

PROJECT DATA

Custom Sizes Available - Fast!

Scan or Click



To view Pricing and Additional Product Info.

PROJECT NAME :	QTY	W	H	OPTIONS
ARCHITECT :				
DEALER :				
CONTRACTOR :				
LOCATION :	SPECIAL INSTRUCTIONS :			
DATE :				
TAGGING INSTRUCTIONS :	SUBMITTAL APPROVAL : (signature or stamp)			

TELEPHONE:
1-888-622-8367

FAX:
1-888-626-2907



PO BOX 4668
PMB 76520
NEW YORK,
NEW YORK 10163-4668
US



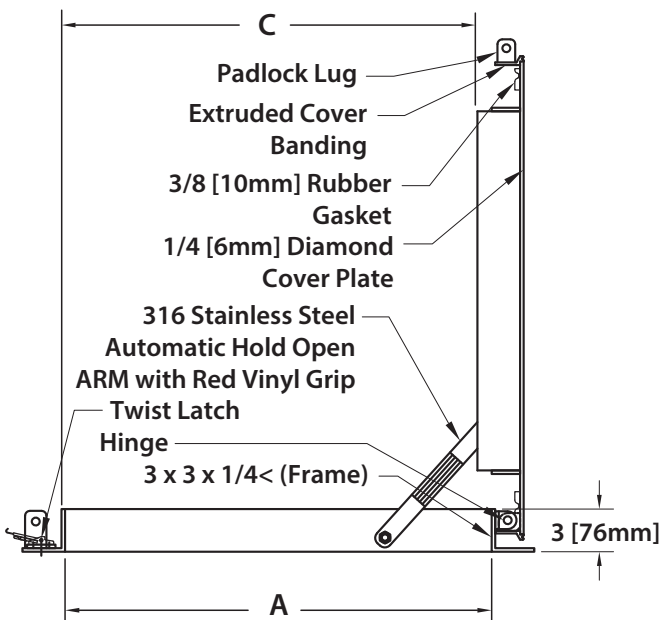
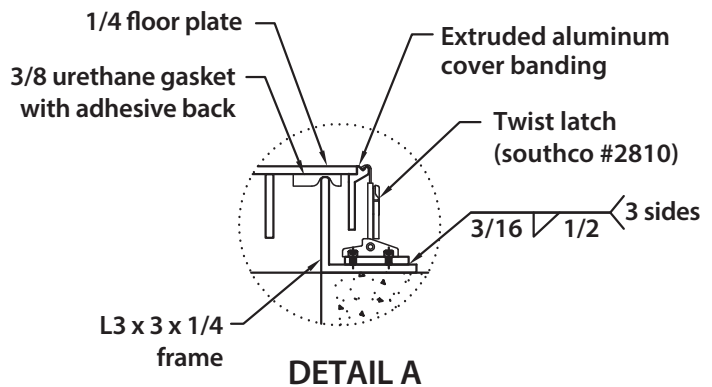
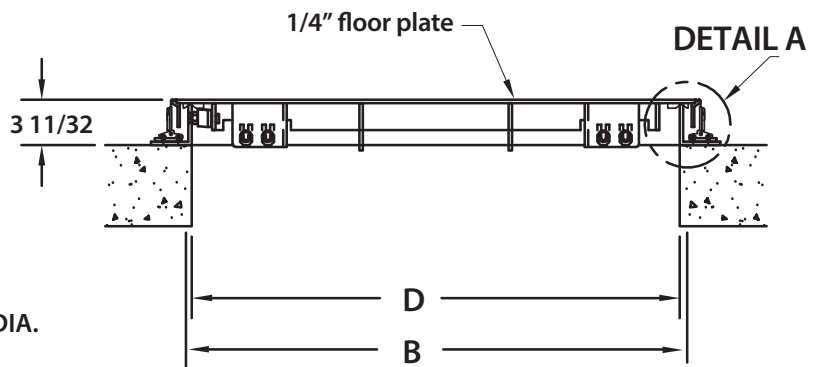
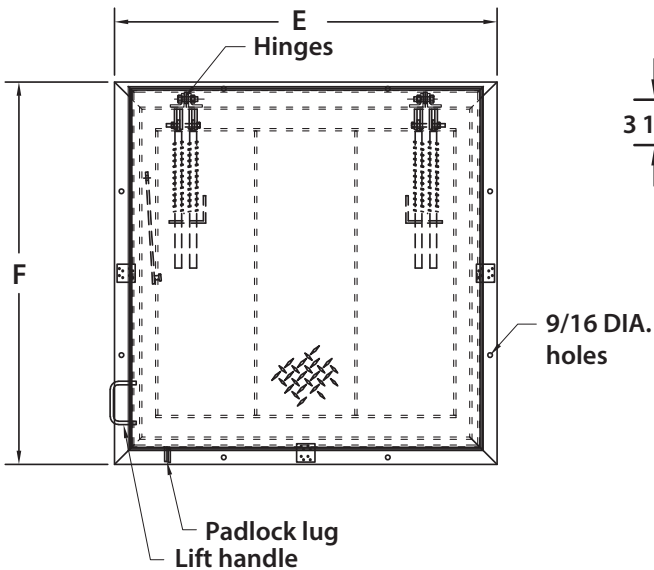
WEBSITE:
www.AcudorAccessPanels.com

E-MAIL:
info@AcudorAccessPanels.com

AFPS

ANGLE FRAME FLOOR DOOR RAISED FRAME - FLOOD RESISTANT

NOMINAL DOOR SIZE in. (mm)	FRAME OPENING		CLEAR OPENING		OVERALL SIZE		WEIGHT LBS. (KG)
	A in. (mm)	B in. (mm)	C in. (mm)	D in. (mm)	E in. (mm)	F in. (mm)	
24 x 24 (610 x 610)	24 (610)	24 (610)	24 (610)	23 (584)	30 (762)	30 (762)	65 (29)
30 x 30 (762 x 762)	30 (762)	30 (762)	30 (762)	29 (737)	36 (914)	36 (914)	85 (39)
30 x 48 (762 x 1219)	30 (762)	48 (1219)	48 (1219)	47 (1194)	36 (914)	54 (1372)	110 (50)
36 x 36 (914 x 914)	36 (914)	36 (914)	36 (914)	35 (889)	42 (1067)	42 (1067)	105 (48)
36 x 48 (914 x 1219)	36 (914)	48 (1219)	48 (1219)	47 (1194)	42 (1067)	54 (1372)	120 (54)



NOTES:

- MATERIAL: ALUMINUM
- LOADING: 625 LBS. PER SQ. FT.
- 316 STAINLESS STEEL BOLTS & NUTS
- AREA OF FRAME IN CONTACT WITH CONCRETE TO BE PAINTED WITH BITUMINOUS COATING

